

Bullet Camera Junction Box

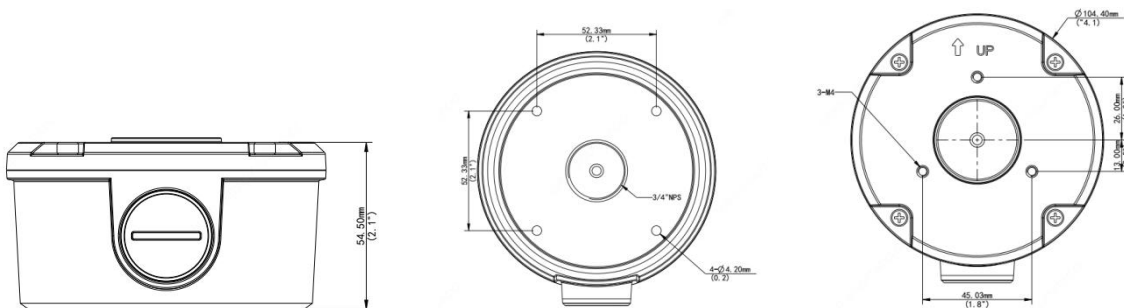
TR-JB05-B-IN



Specifications

Bracket	TR-JB05-B-IN
Application	Junction box for IPC21XX series(Extra back outlet)
Dimensions	Φ104.4mm*54.5mm(4.11" x2.15")
Weight	0.36kg(0.79lb)
Material	Aluminum alloy

Dimension



Zhejiang Uniview Technologies Co.,Ltd.

South Tower, Building 10, Wanlun Science Park, 88 Jiangling Road, Hangzhou, P.R.China 310051

Email: overseasbusiness@uniview.com; globalsupport@uniview.com

<http://www.uniview.com>

©2015 Zhejiang Uniview Technologies Co.,Ltd. All rights reserved.

*Product specifications and availability are subject to change without notice.